



Solar Light Outdoor Post

SL001
SL002
04/13

QUESTIONS OR CONCERNS CONTACT CANARM AT:
1-800-267-4427 (English) / 1-800-567-2513 (French)

Monday through Friday 8:00 AM to 5:00 PM E.S.T. or email to: guestservice@canarm.ca



"INSTRUCTIONS PERTAINING TO RISK OF FIRE OR INJURY TO PERSONS"
"READ ALL INSTRUCTIONS"

"IMPORTANT SAFETY INSTRUCTIONS"
"SAVE THESE INSTRUCTIONS"

TOOLS AND MATERIALS REQUIRED:



Phillips
Screwdriver

OPERATION OF SOLAR LIGHT:

During the day, the solar panel converts sunlight into electricity and recharges the battery/batteries. At night, the light turns on automatically using the electricity stored during that day.

The number of hours the light stays on depends on your geographical location, weather conditions and seasonal sunlight availability.

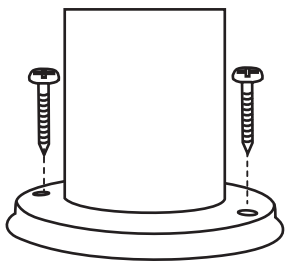
Place the solar light fixture in an area where it can receive direct sunlight for at least 8 hours each day. Shadowed locations will not allow the battery/batteries to charge fully and will reduce the hours of nighttime lighting. The selected location should not be near nighttime light sources, such as porch lights, streetlights or pool lights, as these may cause the solar light to turn off prematurely.

FIRST TIME USE:

Remove cover by unscrewing the two top cap screws. Turn the switch to the ON position. Place the solar light in a location where it can receive a full 8 hours of sunlight to allow the rechargeable battery/batteries to reach maximum capacity.

INSTALLATION: 2 OPTIONS AVAILABLE

Option# 1



Option# 1 - Installing into wood/concrete

1. Position the light in your desired location.
2. WOOD - Secure light fixture to wood deck with 3 wood screws provided.

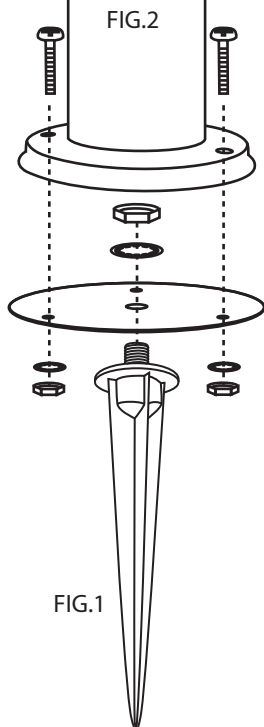
CONCRETE - drill 3 anchor holes, install anchor's (provided). Secure light fixture to concrete with 3 wood screws provided.

Option# 2

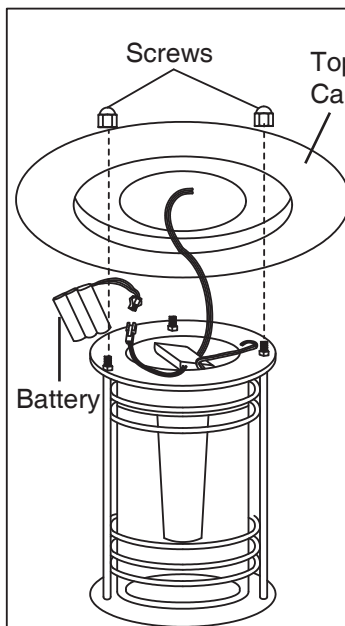
Ground spike application

1. Attach ground spike to plate provided with hex nut and washer. (FIG.1)
2. Attach the ground spike to the bottom of the light with the 3 mounting screws provided. (FIG.2)
3. Position light in your desired location.
4. Grasp the fixture by the pole and push into the soil (do not put pressure on the top of the light as this could cause damage).

Option# 2



BATTERY REPLACEMENT:



NOTE: This operation should be done in the morning on a sunny day. This will allow the lantern to receive a full 8 hours of sunlight so that the rechargeable batteries can reach maximum capacity.

- Remove top cap by unscrewing the screws and lift the cap off the head.
- Remove the old batteries and replace them with the new rechargeable batteries. (DO NOT USE ALKALINE BATTERIES)
- Be sure to insert each battery in the proper direction.
- Replace the top cap and secure it by turning the screws.

